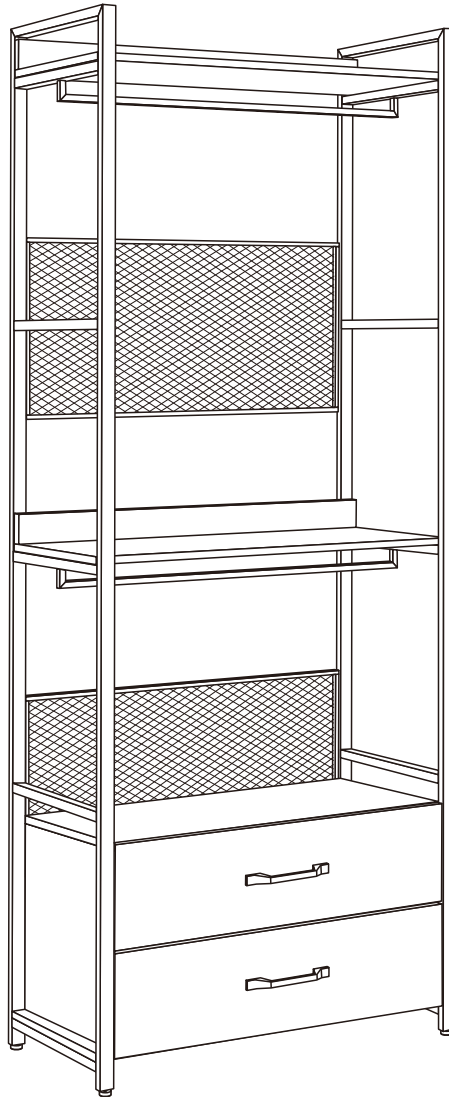


ASSEMBLY INSTRUCTION

Advance

2drw Clothes Rack

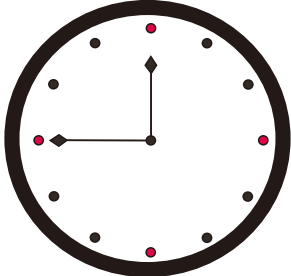
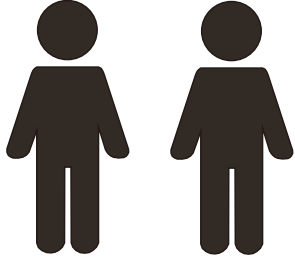
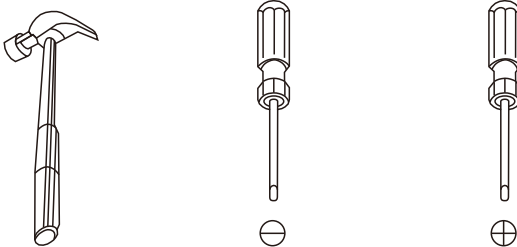
ITEM CODE 70823



PRE-ASSEMBLY PREPARATION

Before you start:

1. Choose a clean, level, spacious assembly area. Avoid hard surfaces that may damage the product
2. Take care when lifting. Product should be assembled as near as possible to the point of use
3. Ensure that you have all required contents for complete assembly
4. Always read the assembly instructions carefully before beginning assembly.
5. Keep all hardware parts and packaging out of reach of small children.
6. Do not over tighten the screws and bolts as this may damage the threads

		
Allow 45min	For 2 person	Additional tools required



TIPPING WARNING





Serious or fatal injuries may occur from furniture toppling over. To help avoid this please follow the below recommendations;

- Install the provided "Tipping Kit" as per the instructions
- Never allow children to climb on or hang off of any part of this product
- Unless specifically designed to accommodate, do not set TVs or other heavy objects on top of this product

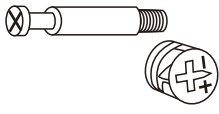
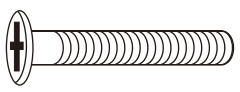
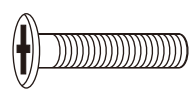

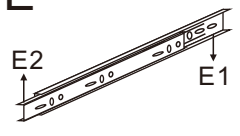
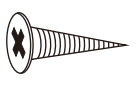
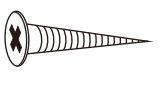
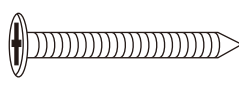

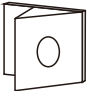
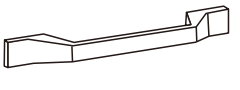
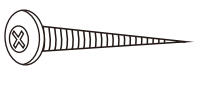
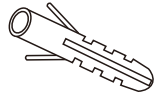
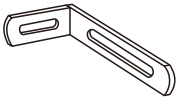
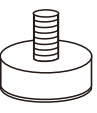
IF this product has drawers:

- Place the heaviest items in lowest drawers
- Do not open more than 1 drawer at a time as this may cause the product to become unbalanced
- Do not tamper with or remove any drawer interlocking/running system

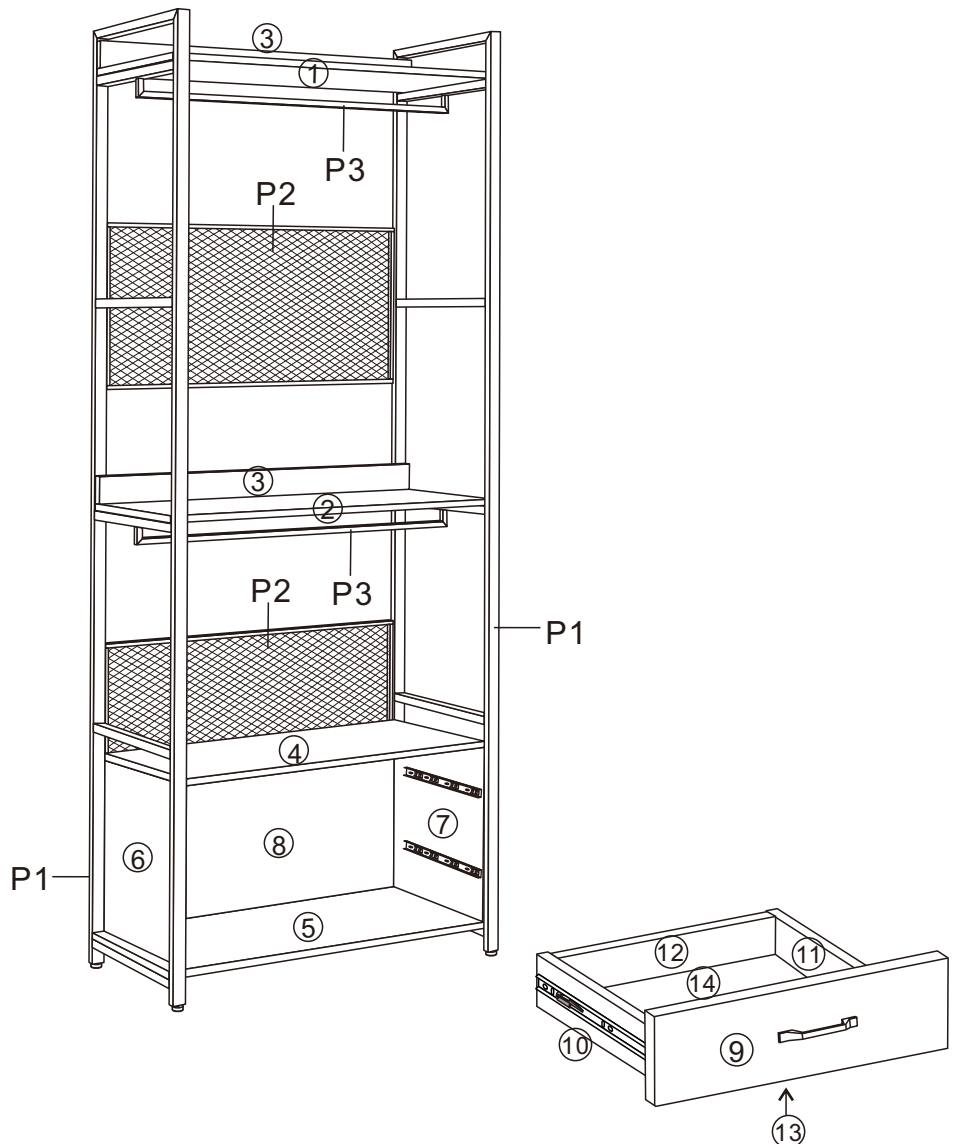
Note: The use of the provided "Tipping Kit" may reduce but not necessarily eliminate the risk of furniture toppling over. Please use this product with caution.

This is a permanent label. Do not attempt to remove!

PARTS LIST

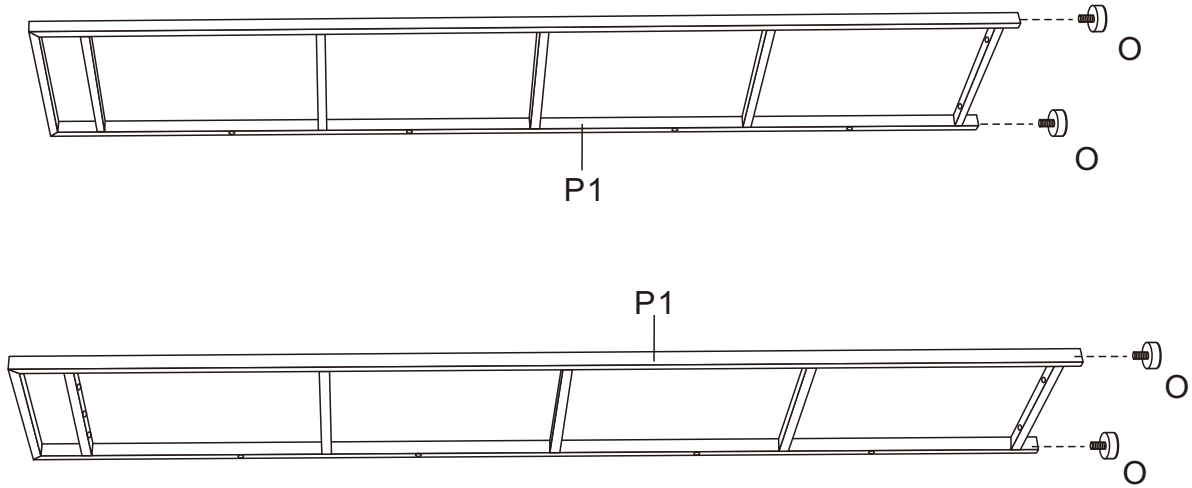
A  24pcs	B  M6X40 mm 8pcs	C  M6X30 mm 16pcs	D  M4X18mm 4pcs	E  4pcs
F  ST3.5X14mm 20pcs	G  ST3.5X18mm 6pcs	H  ST5X50mm 12pcs	I  8pcs	J  6pcs
K  2pcs	L  ST4X25mm 2pcs	M  2pcs	N  2pcs	O  4pcs

1	top panel
2	middle layer
3	back panel
4	drawer top panel
5	drawer bottom panel
6	Left side panel
7	right side panel
8	back panel
9	drawer front panel
10	drawer left panel
11	drawer right panel
12	drawer back panel
13	drawer support panel
14	drawer bottom panel
P1	metal frame
P2	back net
P3	coat hanger



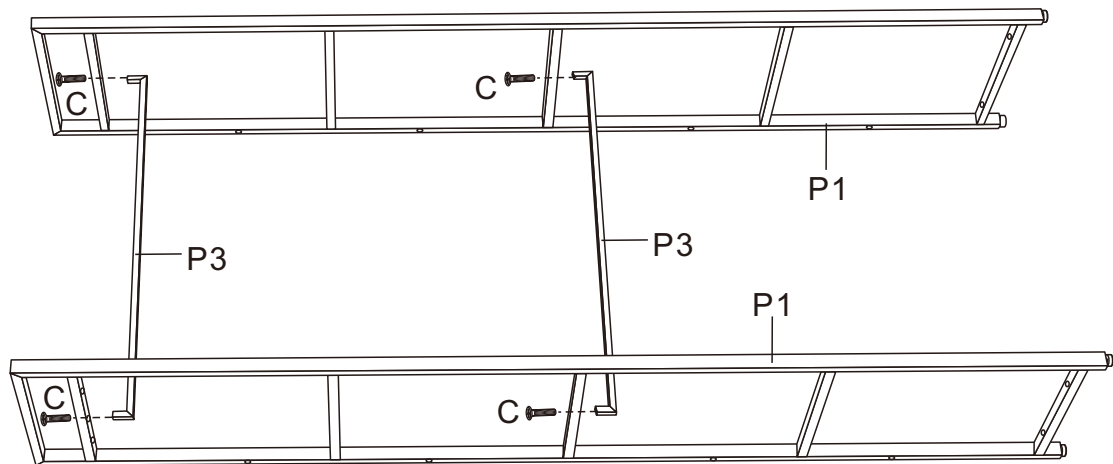
STEP 1:

Screw the fitting 0 into the P1.



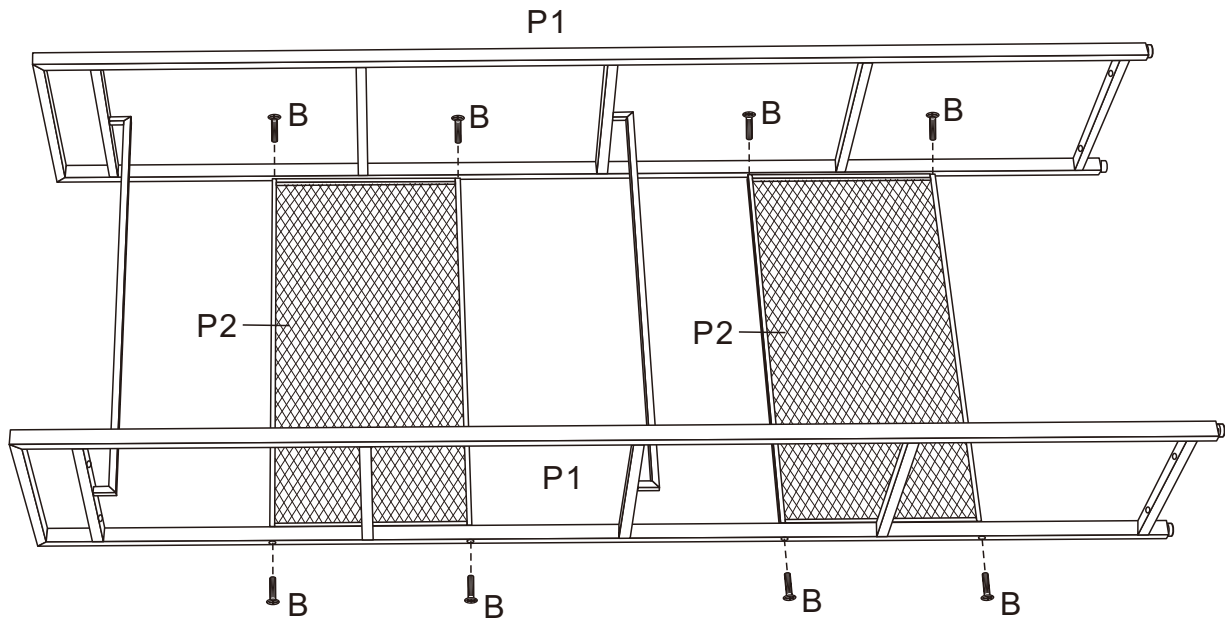
STEP 2:

Attach the P3 to the P1 with fitting C.



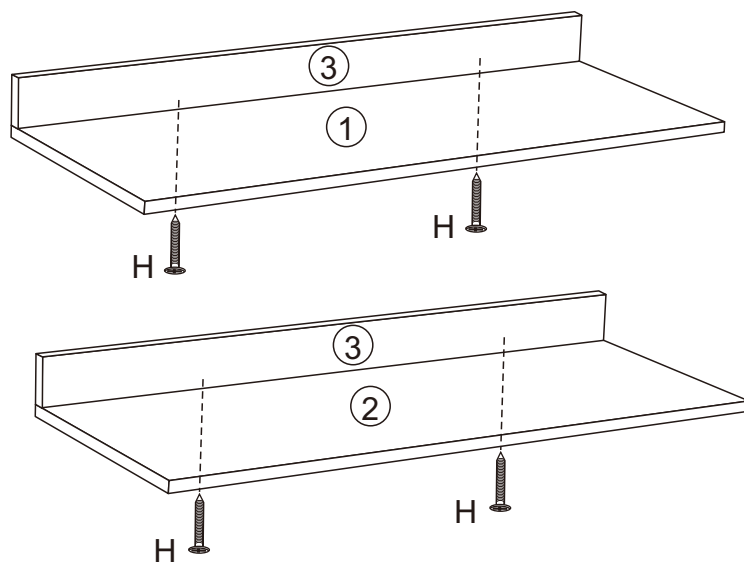
STEP 3:

Attach P2 to the P1 with fitting B.



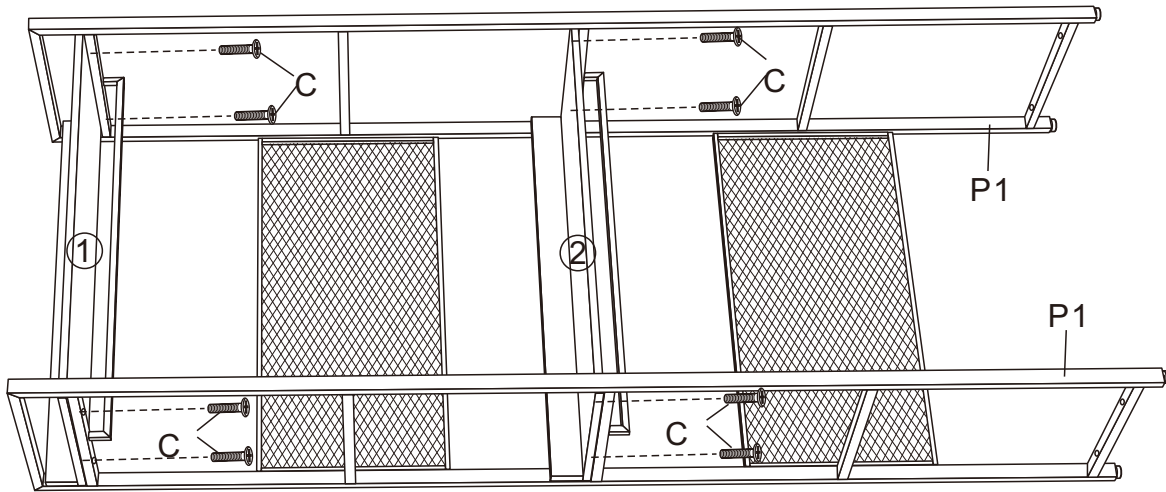
STEP 4:

Attach the panel 3 to Panel 1 with fitting H. The same process for the Panel 2.



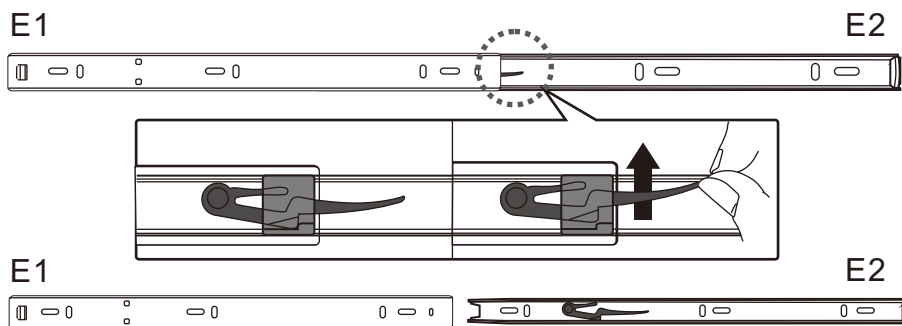
STEP 5:

Attach the components of step 4 to P1 with fitting C.



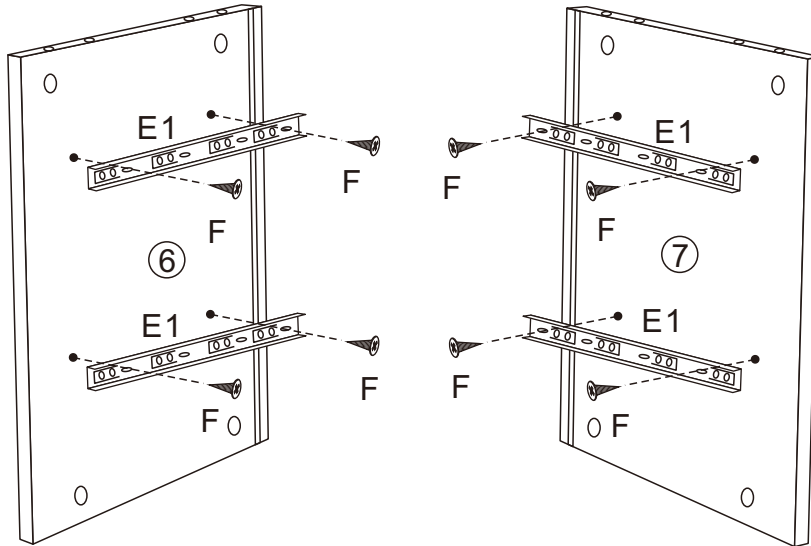
STEP 6:

Raise the plastic tab on the runners and separate E1 from E2.



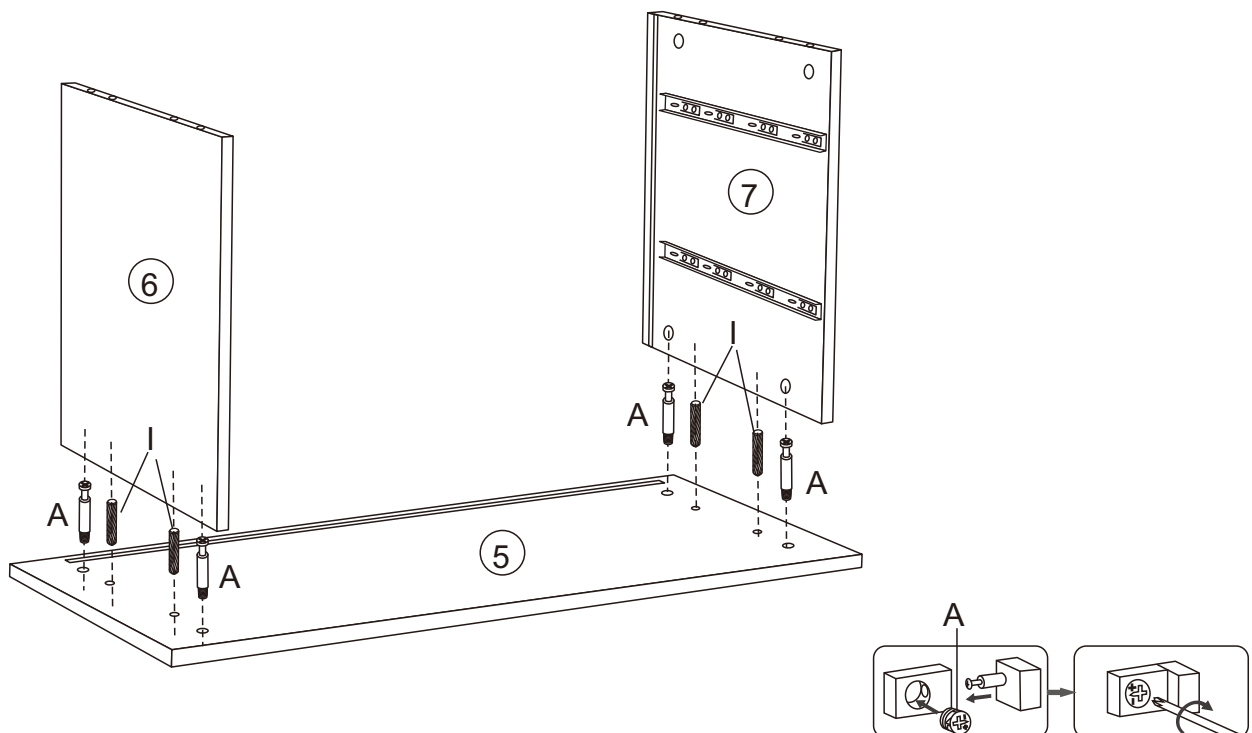
STEP 7:

Use fitting F to fix E1 at the corresponding positions holes of Panel 6 and Panel 7.



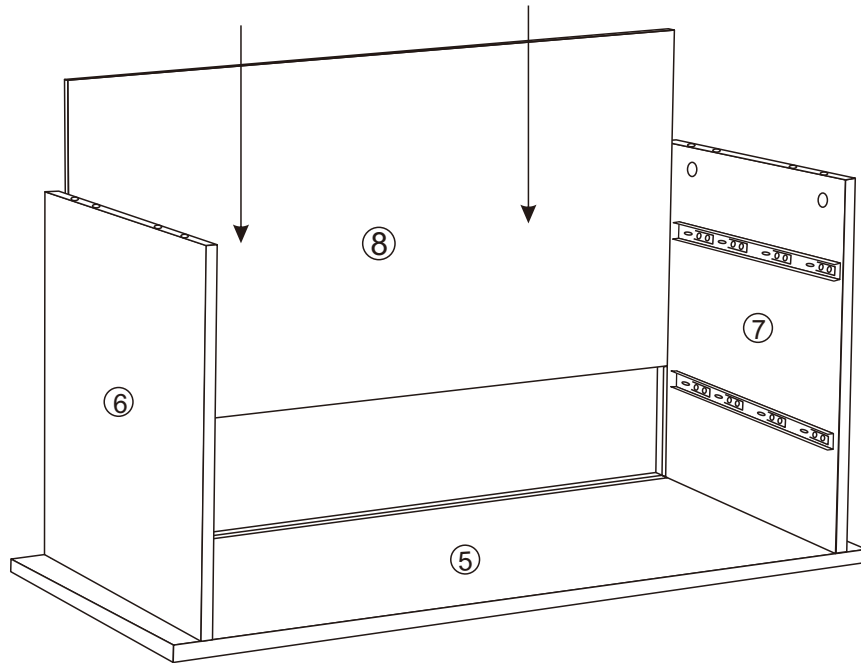
STEP 8:

Attach the Panel 6 and 7 to the Panel 5 with fitting A and I.



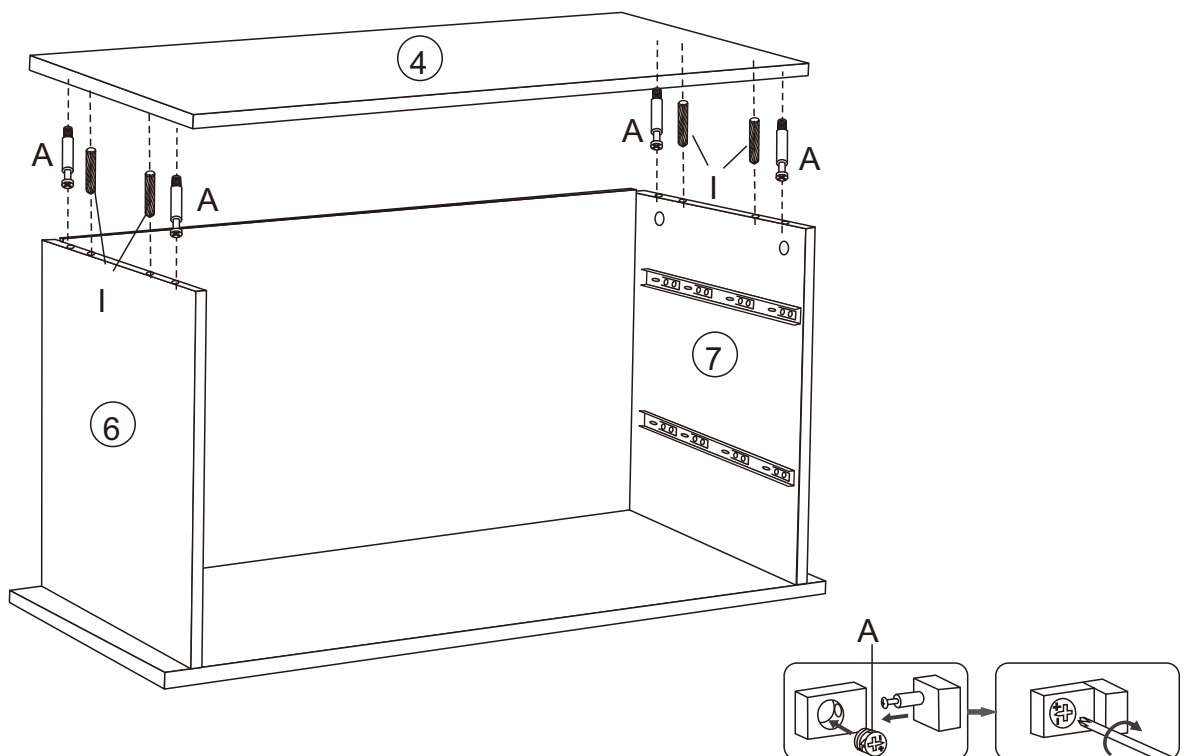
STEP 9:

Insert the Panel 8 to panel 6, 7 and 5 align the groove.



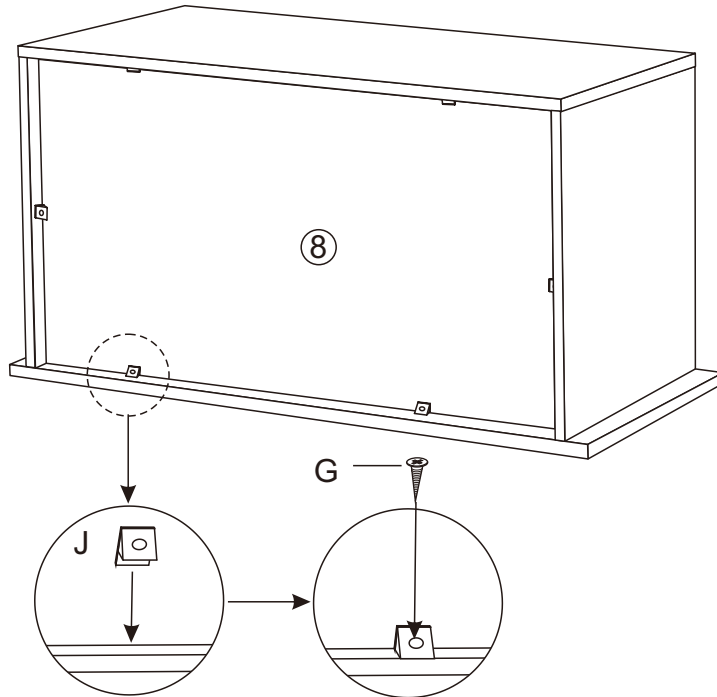
STEP 10:

Attach Panel 4 to panel 6 and 7 with fitting A and I.



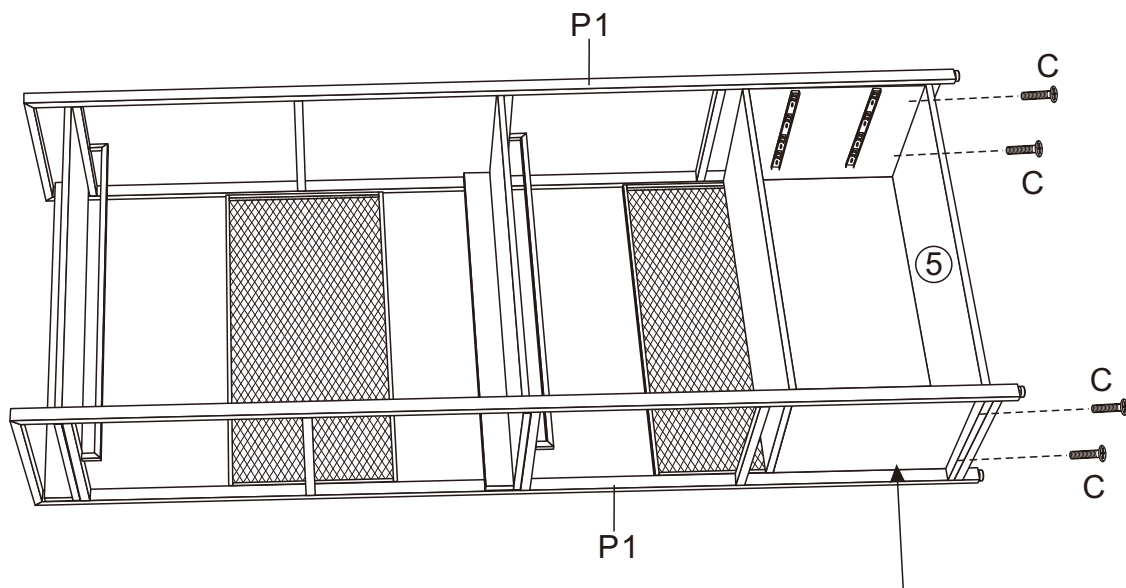
STEP 11:

Insert the fitting J to the corresponding holes of Panel 8 and fasten with fitting G.



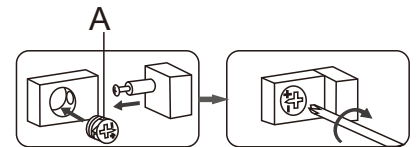
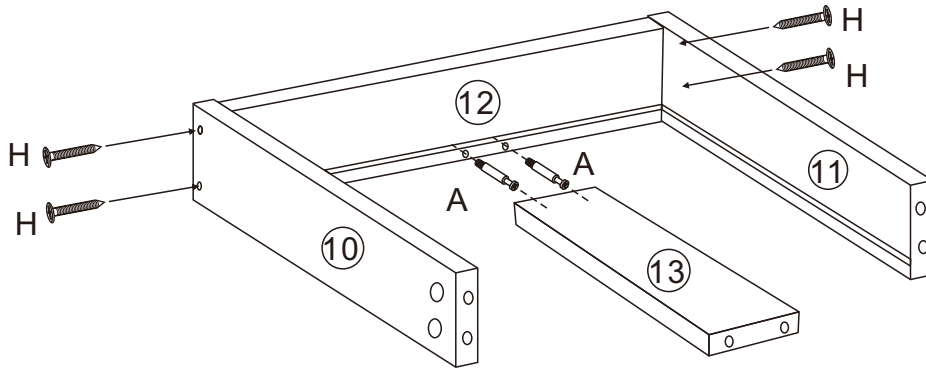
STEP 12:

As the direction of arrow, insert the component of Panel 5 into the bottom of metal frame, and fasten with fitting C.



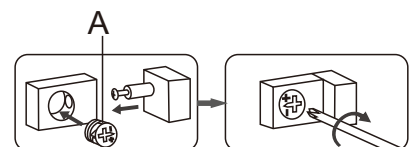
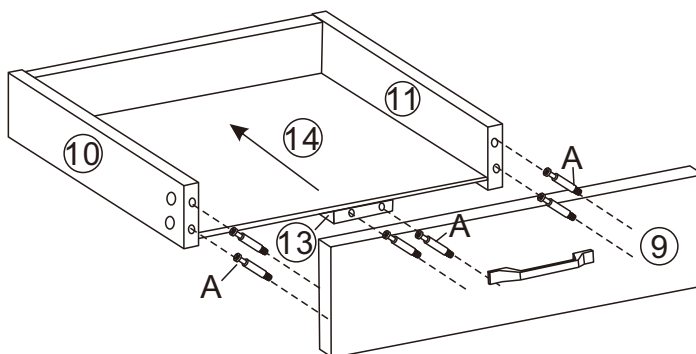
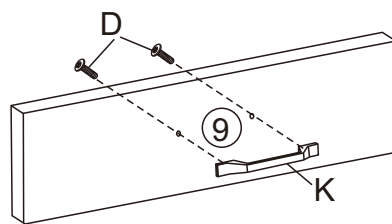
STEP 13:

Attach the Panel 10 and 11 to Panel 12 with fitting H, then attach Panel 13 to Panel 12 with fitting A.



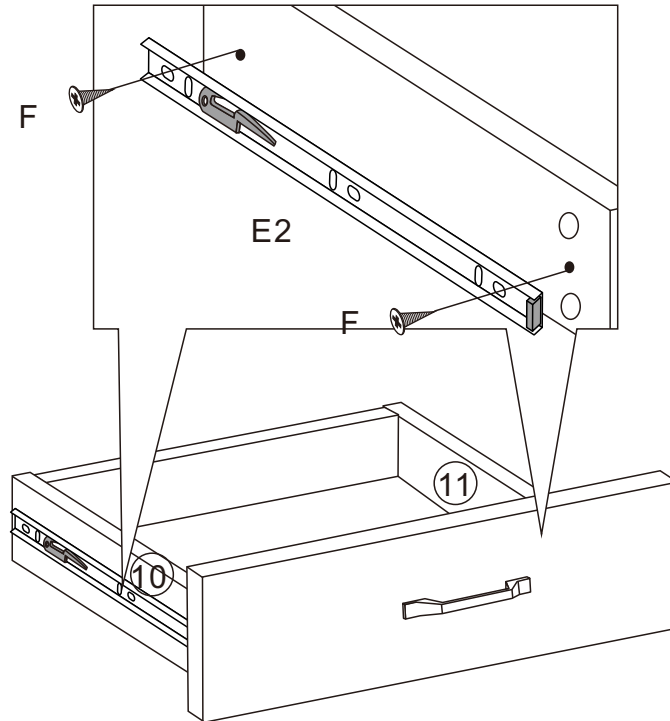
STEP 14:

Attach the handle K to the Panel 9 with fitting D. And insert Panel 14 into Panel 10, 11 and 12 align the groove. Then attach panel 9 to the component with fitting A.

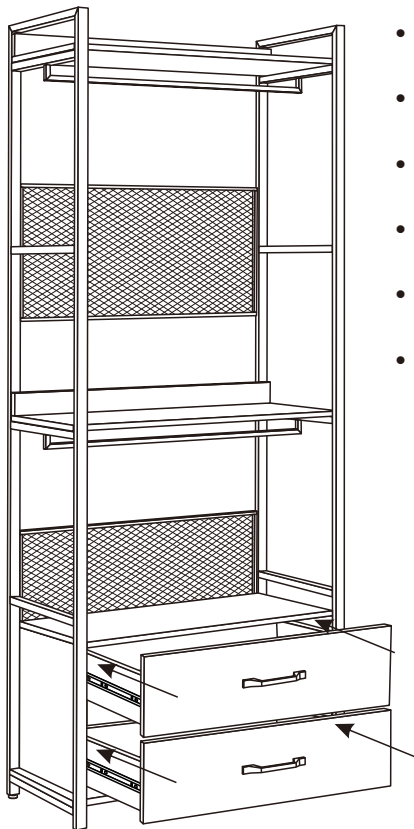


STEP 15:

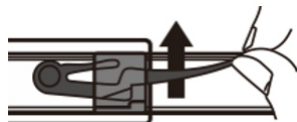
Attach the E2 to the outside of the Panel 10 and 11 with fitting F.



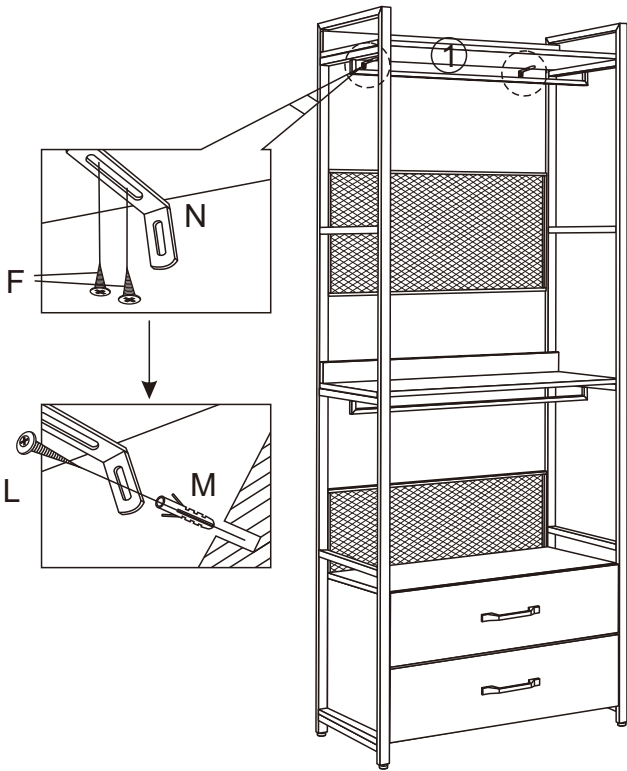
STEP 16:



- Pull the slider on E1 forward to a fully extended position.
- Line the drawer up with the runners. E2 should cup inside E1.
- Insert the runners into each other and push in around 4cm.
- Lift up the tabs on E2 and insert the drawer past halfway and release.
- Fully close and open the drawer a few times to allow the runner to properly engage.
- If the drawer cannot be pushed in or stuck, do not force it in. Lift the tabs, remove the drawer and repeat the steps above.

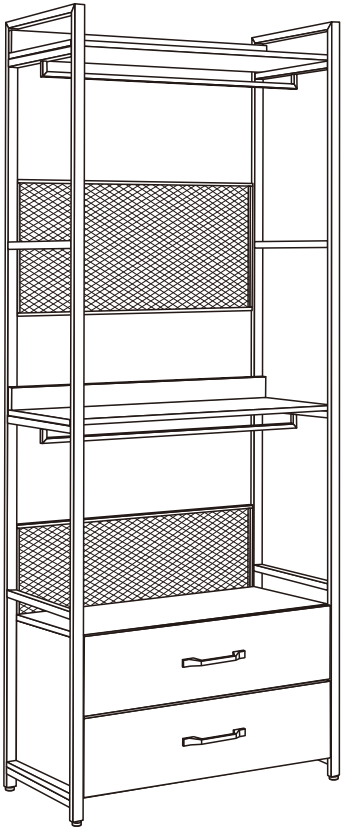


STEP 17:



STEP 18:

Assembly complete!



To protect your furniture, we suggest the following:

- Avoid placing your furniture in direct sunlight.
- Do not place furniture directly under windows.
- Do not place sharp materials (knife, fork, etc.) directly onto your furniture as sharp material may scrape and damage the finish.
- Do not place material with high temperature directly onto the surface of your furniture.
- Clean up spills quickly. Water left over a prolonged period of time may cause damage. Alcohol, perfume, nail polishes, aftershave and some medication may cause severe finish damage if not cleaned immediately.
- Use a clean, soft, dry, lint free absorbent cloth to clean your furniture. Do not use any detergent as they may contain ingredients that may react and damage the finish.

NOTE: If the above care advise is not adhered to your product warranty may become void